



# Mcurich Inc. Company Briefing

*A dedicated High-Speed Cable  
supplier located in Taiwan*

**October 2021**



# Table of Content

1. Company Background & Overview
2. R&D & NPI Production Focus Team
3. SI Test Equipment & Design Capability
4. Manufacturing Equipment
5. Reliability & Safety
6. Global Support
7. QA Flow Chart
8. DAC, ACC, Internal Cable, AOC Solutions



# Company Overview

Mcurich Inc. is a subsidiary of [Qisda Corp. \(TWSE 2352\)](#) group in Taiwan, group annual revenue is [US\\$ 6 billion](#).

We are a [High-Speed Cable](#) provider for [Cloud Computing](#), [Datacom](#), [5G](#), [Enterprise](#), [IOT](#), [Security](#) etc. Industries.

We are designing and manufacturing [High-Speed Cable in Taiwan](#) and [Stock in US](#), by following the updated Industrial standard and trend, up to now we have had the capability to provide the High-Speed [DAC](#), [AOC](#), [Transceiver Module](#), [Internal Cable](#), [AEC](#), [ACC](#) from [10G to 800G](#). We are also providing [Customized ODM](#) and [Under Liquid Cable](#) for Global Customers.

We are [ISO 9001](#) certified and all over products are compliant with RoHS, REACH, CP65 etc. safety regulations. We are a member of [SNIA TA TWG](#) and are the [AVL](#) for several global companies. All this documents are available on hand which will eliminate the long lead time for product qualification by the [Immediate Urgent Users](#).



# Mcurich Inc. ISO 9001 & a Member of SNIA TA TWG

**MS CERT**

## Certificate Of Registration QUALITY MANAGEMENT SYSTEM

This is to Certify that the Quality Management System  
of  
**MCURICH INC.**

*Address:*  
19F-11, No. 97, Sec. 1, Xintai 5th Rd., Xizhi Dist., New Taipei City, Taiwan (R.O.C.)  
has been assessed and found to comply with the requirements of:

### ISO 9001:2015 (Quality Management System)

*Scope of Certification:*  
R&D, Manufacturing, Sales For Interconnection Products Incl. Cable ASS'Y & Connector

*Sector Code: (ANZSIC CODE: 2439)*  
**Certificate Number: TWN/QMS/00384/7577**  
*Issue no.: 01*

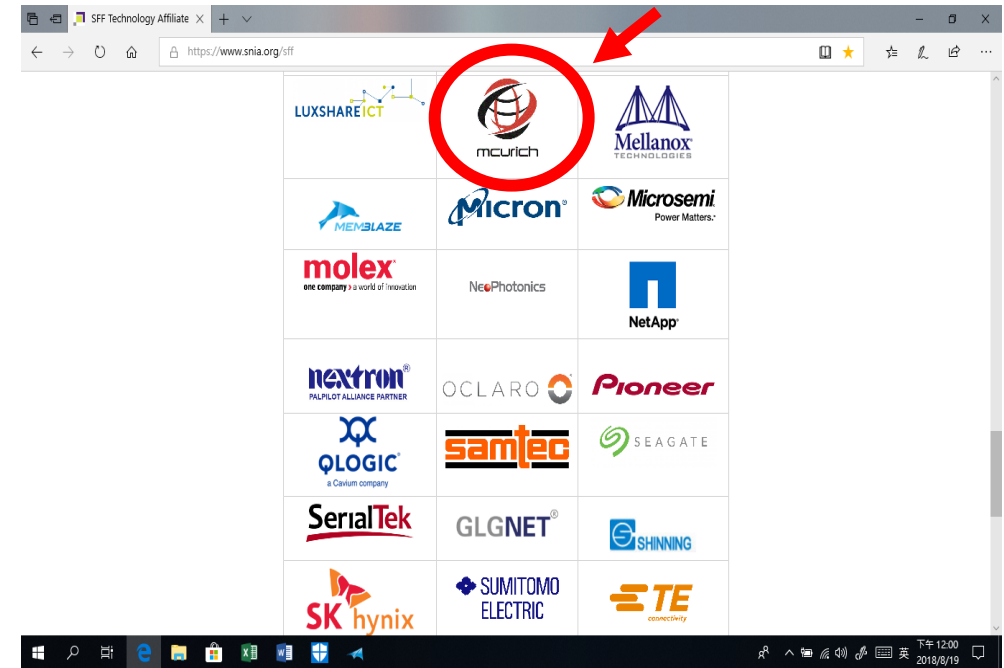
*Date of approval : 14.06.2019*      *Valid until : 13.06.2022*  
*Revision no: nil*                      *Revision date : nil*

*Original Certification Date: 14.06.2019*

April 2020      *Head of Certification*      April 2021  
Surveillance Audit 1st Year      Surveillance Audit 2nd Year

**MS CERT**      **JAS-ANZ**      **IAF**  
ACC.No.M4151008IK

MSCS Critical Location: MS CERTIFICATION SERVICES PVT. LTD. 3/23 R.K.CHATTERJEE ROAD KOLKATA-700042, INDIA.  
Local Office (Other Location): RYH-TIAN INTERNATIONAL CERTIFICATION, 4F, No. 20, Chang Chun Road, Taipei City, Taiwan  
www.msccertification.net  
The validity of this certificate can be verified at www.jas-anz.org/register and www.msccertification.net  
The Certificate is Valid Only if the Annual Surveillance Mark is Signed by Auditor on Original.



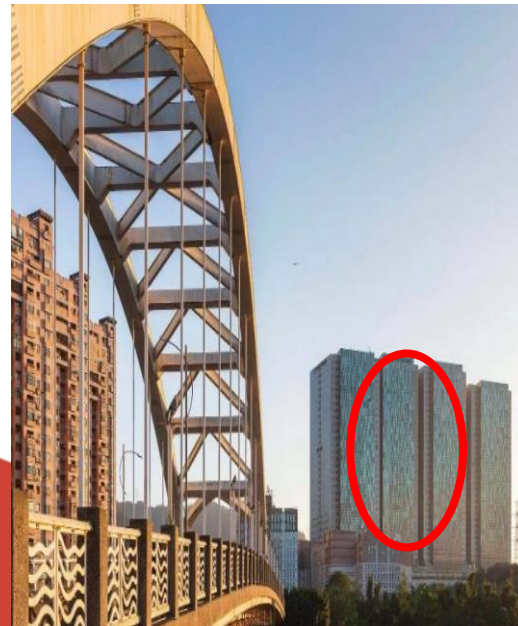




# R&D / NPI production in Taiwan and high-volume MP in China

**Taiwan** 330 SQM,  
Employee 55, ISO 9001

19-11, 97, Sec1, Xintai 5<sup>th</sup> Rd, Xizhi  
Dist, New Taipei City



**China** 23,436 SQM, Employee 600  
IS9001/14000/13485/TS16949/OHSAS180001

Baolong 6<sup>th</sup> Rd, Baolong Ind Park, Longgang  
Town, Longgang Dist, Shenzhen, Guangdong,  
China

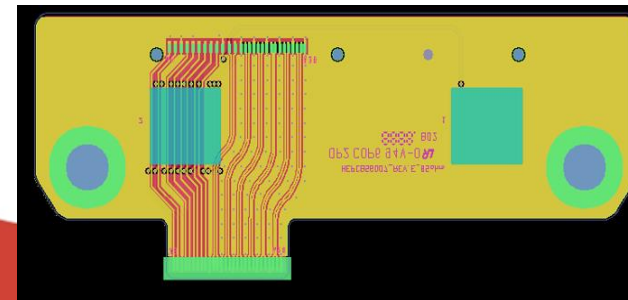
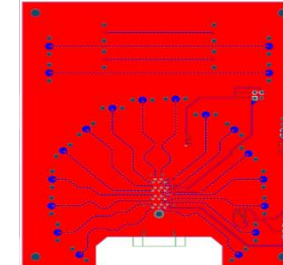
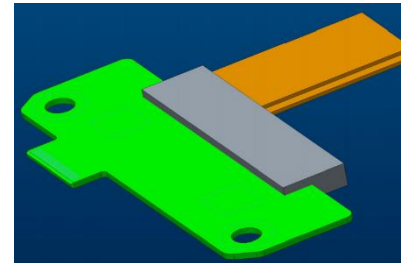
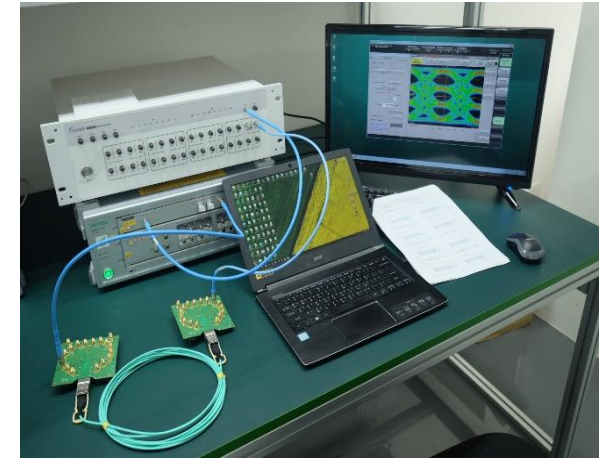
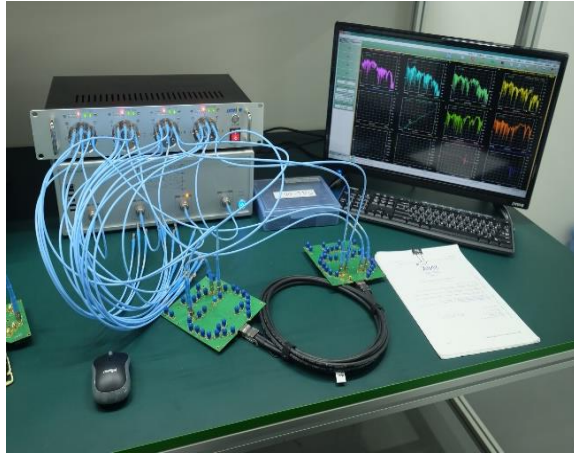






# SI Test Equipment & Design Capability

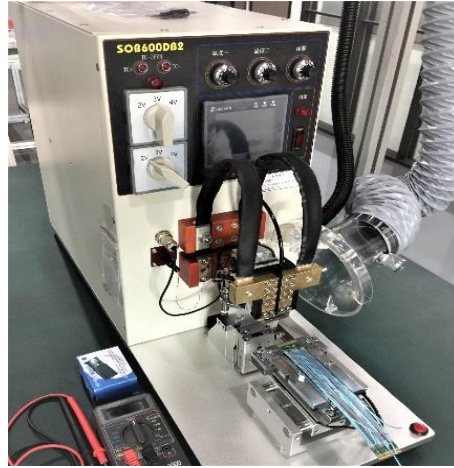
1. Anritsu MS46524B VNA to 43.5GHz, 32 port RF Switch, test fixture, calibration tool
2. Anritsu 4ch 28.2Gbit/s BERT and 2ch Optical Sampling Oscilloscope, Agilent power supplier
3. CAD 2000, Pro-E 2.0, Altium Design, Allegro PCB Designer, Gerber Viewer, EzCoding 8740







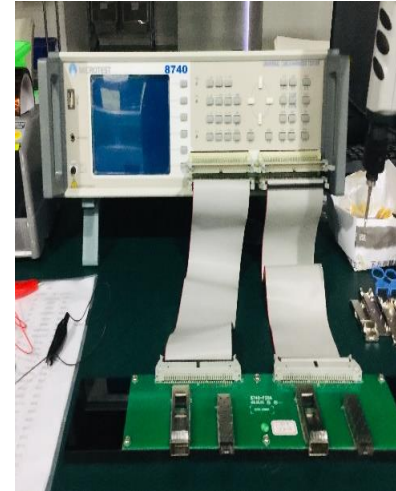
# Manufacturing Equipment



**Hot-Bar**



**Low pressure molder**



**Micro-test 8740**



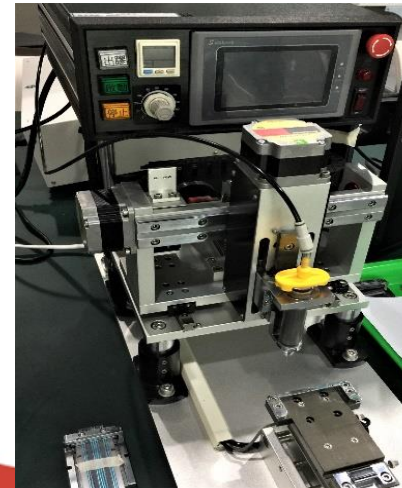
**CO2 laser cutter**



**Auto striper**



**i2c EEPROM coder**



**Auto solder paster**



**Die/mold/fixture**



# Reliability & Safety Test Equipment

- Reliability verification, DVT report, RoHS, REACH, CP65, CE, FCC, MTBF, ISO 9001



**Thermal shock Tester**



**Hot Air Reflower**



**Temperature & Humidity Chamber**



**X-ray Fluorescent Spectrometer (RoHS)**



**Spring force & Contact resistance Tester**



**350X Measuring Microscope**

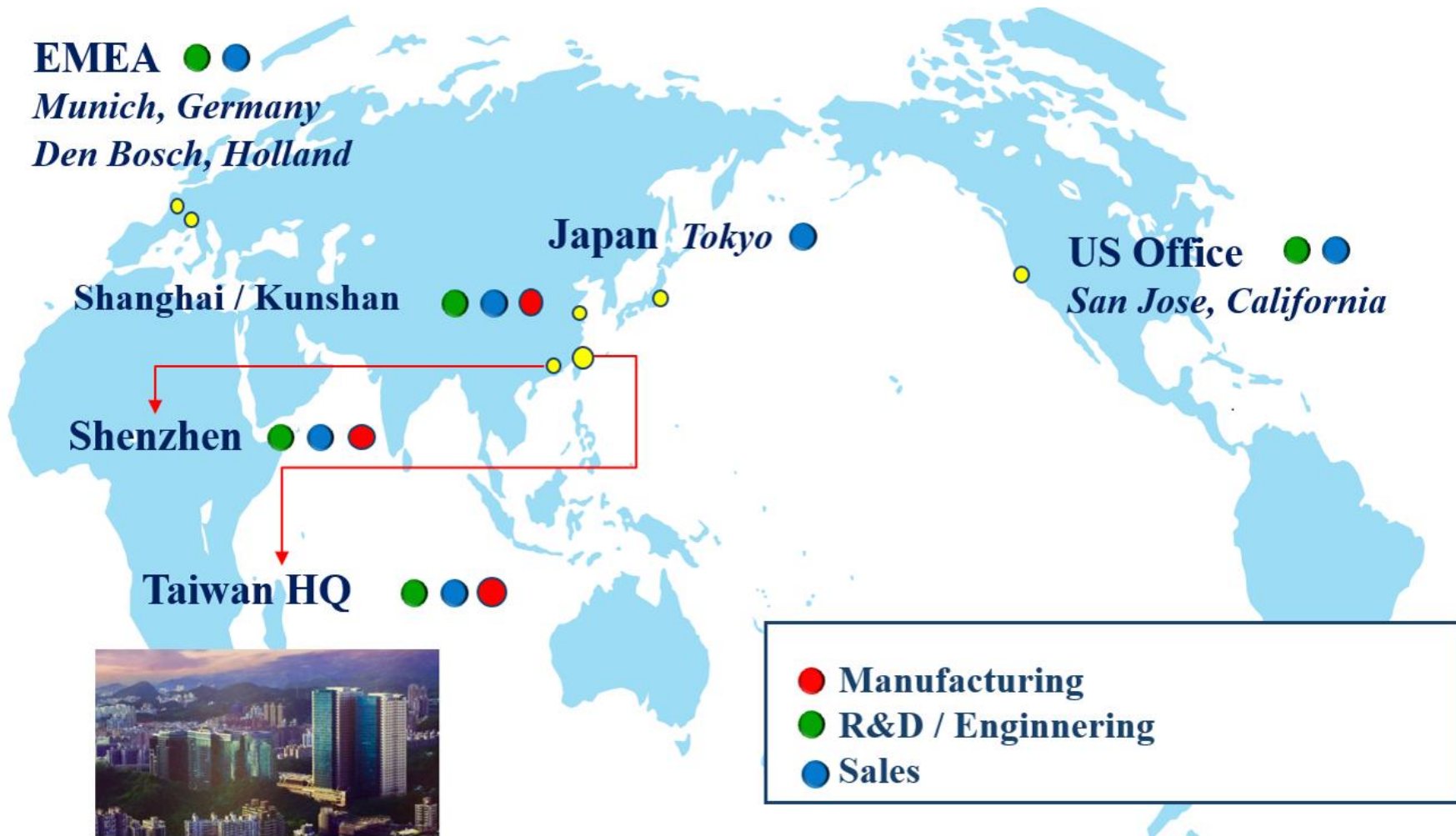


**Salt Spray Tester**



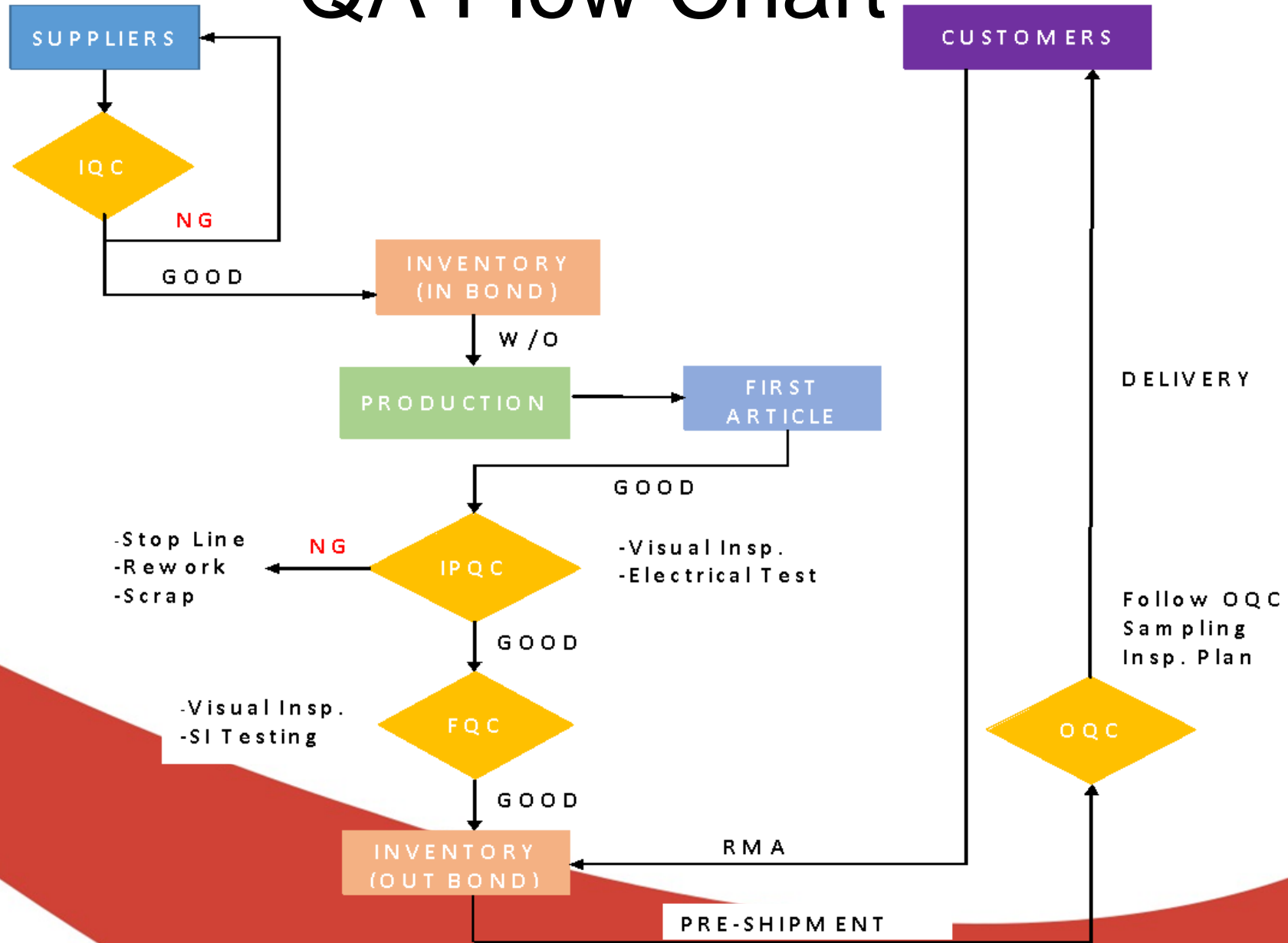


# Global Sales, Engineering, Manufacturing Support





# QA Flow Chart





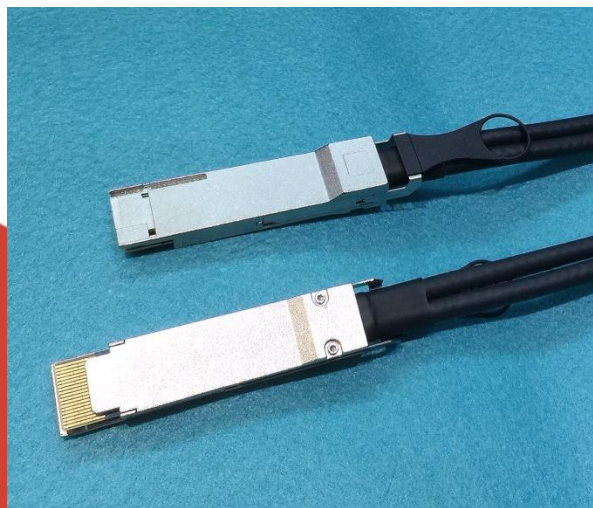
# **External Cable (DAC)**





# QSFP DD (IEEE 802.3cd / Infiniband EDR)

- Compliance with QSFP MSA / SFF-8665 & SFF-8636
- Data rate NRZ 200Gbps, PAM4 400Gbps
- EEPROM IC on paddle card
- Voltage 3.3 VDC max.
- Impedance 100+-10 ohm
- Wire size 7 cable length
  - 30 AWG 0.5m to 1.5m
  - 28 AWG 0.5m to 2.0m
  - 28 AWG 1.5m to 2.5m



QSFP DD Cable





# QSFP28/56 series for 28Gbps & 56Gbps

- Data rate NRZ 100Gbps, PAM4 200Gbps
- for Infiniband EDR
- for Ethernet networking
- DAC passive cable:
  - 30AWG up to 3M
  - 26AWG up to 4.5M
- QSFP28/56 Loopback Adapter (from 0dB to 6dB, and 1.5W to 5.0W)

**QSFP28/56 Loopback Adapter**



**QSFP28/56 Cable**





# SFP28/56 series for 28Gbps & 56Gbps

- SFP28 Copper Cable
- QSFP28 to SFP28\*4 Breakout Cable
- 30AWG up to 3M, 26AWG up to 5MSFP28
- Loopback Adapter (from 0dB to 6dB)

**SFP28/56 Loopback Adapter**



**QSFP28/56 – SFP28/56\* 4**



**SFP28/56 Cable**







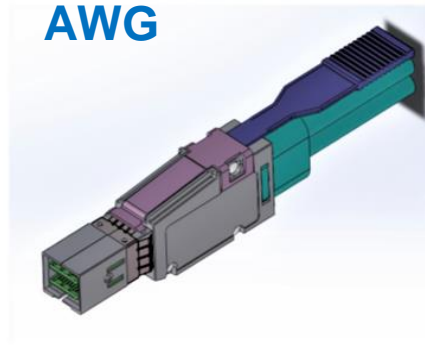
# External Mini SAS HD Cable SFF 8644

- Follows SAS 3.0, 4.0, PCIe 3.0, 4.0 for 6Gbps, 12Gbps, 16Gbps, 24Gbps application
- Both 85ohm and 100ohm available
- Mini SAS HD 4x with EMI spring shielding
- Mini SAS HD 8x for dual port application

Fan-Out



Length vs AWG



Wire Gauge	Length
30AWG	0.5~3.0m
28AWG	3.0~4.0m
26AWG	5.0m
24AWG	6.0m

Straight vs R/A





# **External Cable (ACC / AEC)**



# QSFP28/56 & SFP28/56 Active Cable Assembly

- Compliance with Ethernet Networking and Infiniband specification
- Phase one Equalizer ACC, phase two Retimer AEC
- Available of cable length up to 5m, 7m and 10m
- QSFP to SFPx4 fan out cable is subject to request
- Provide ODM and OEM support of ACC for USB, HDMI, Thunderbolt etc. incl. DFM, fixture & tooling fabrication and Automation

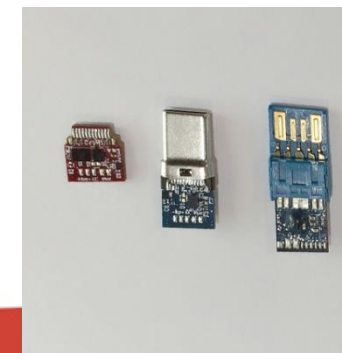
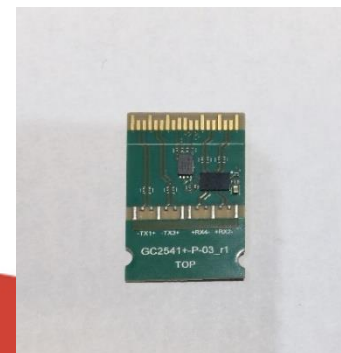
**QSFP28/56 ACC**



**Fan-Out ACC**



**ACC Paddle Cards**





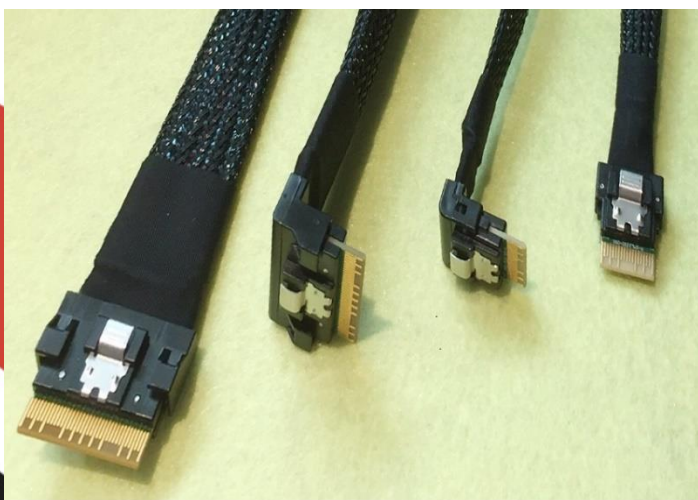


# Internal Cable



# Lean SAS Cable Assembly: SFF 8654

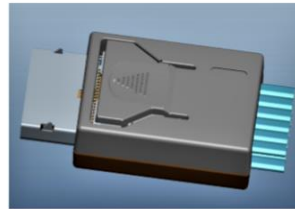
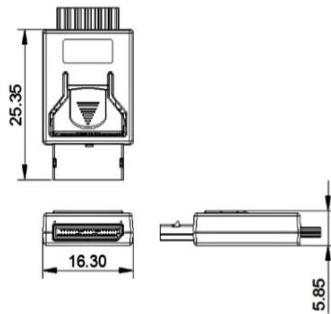
- Lean SAS Internal 4i 8i 16i C/A, high density, flexible and compact structure
- Robust lock transmission speed up to 24Gps with 8,16,32 pair signals plus clock
- Available for 85 and 100 ohm, support SAS 3.0/4.0/5.0, PCIe 3.0/4.0/5.0, length up to 1m
- 4i & 8i straight, right angle, side exit in MP
- 4i 8i 16i low profile straight, R/A, side exit subject to request



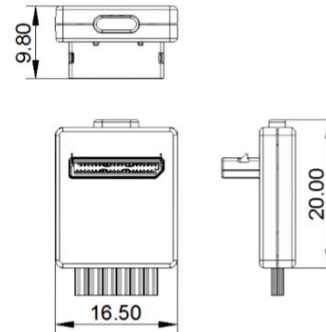


# OCulink (NPIO) Cable Assembly: SFF 8611

- OCulink high density interconnect system complies PCIe and SAS
- Support PCIe Express OCulink spec. (8GT/S), SAS 4.0 (24Gpbs)
- All UL certified ad flammability rating
- 4i 8i straight and R/A all available



Cable Size Option:  
31AWG~34AWG Cable, 85ohm  
32AWG~34AWG Cable, 100ohm



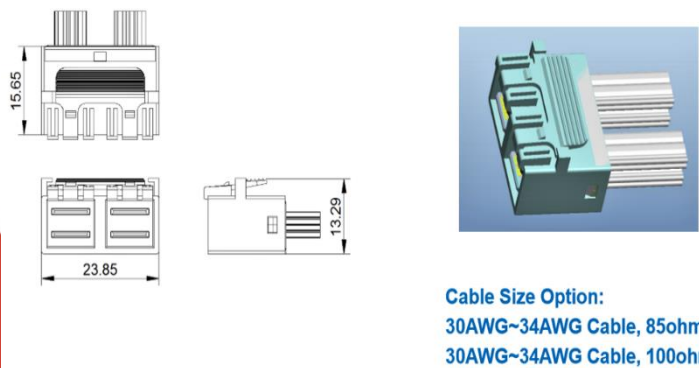
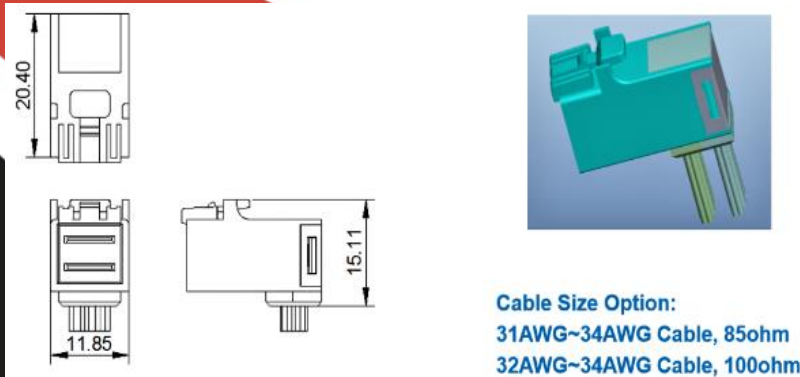
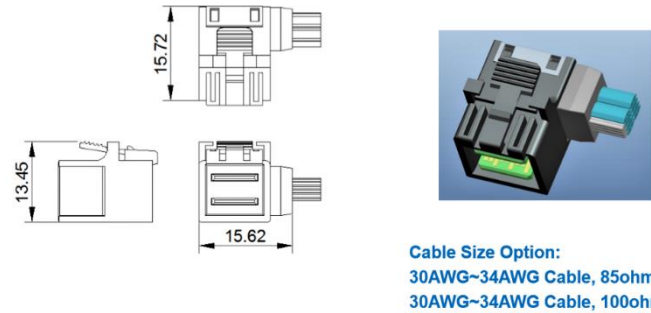
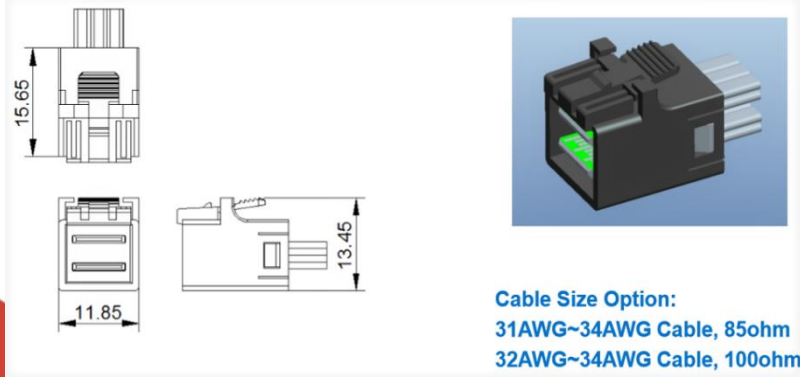
Cable Size Option:  
31AWG~34AWG Cable, 85ohm  
32AWG~34AWG Cable, 100ohm





# Mini SAS HD 4x 8x Internal Cable: SFF 8643

- 12Gbps and 24Gbps, available for 85 and 100ohm
- Available for long body, short body, low profile
- With straight, right angle and side exit





# SFF-TA-1002 Application (Gen Z)



Consortium of On Board Optics (optics inside switches)

Founding members include: Arista, Cisco, Microsoft, Broadcom, Dell



**EDSFF**

Enterprise & Datacenter Small Form Factor Storage Standard

Founding Members include: Dell, HP, Lenovo, Microsoft, Intel, Samsung and Facebook



High Speed Datacenter Standard: Alliance members include:

The alliance members include AMD, ARM, Cavium, Cray, Dell EMC, HPE, Huawei, IBM, Lenovo, Micron, Microsemi, Samsung, Seagate, SK hynix, WDC, and Xilinx.



OCP NIC 3.0, JBOF (Just a Bunch of Flash), Other not yet public



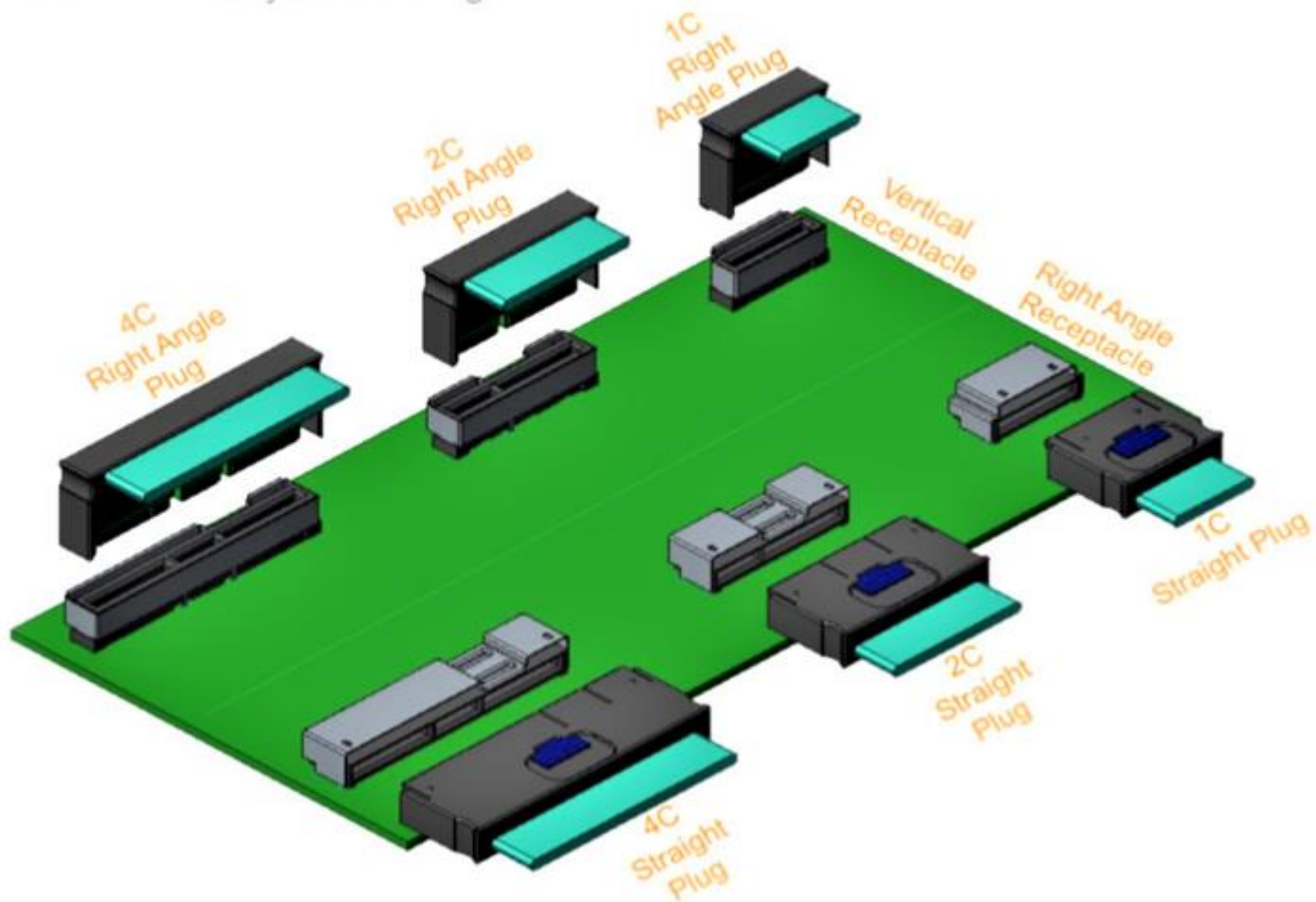
DDIMM (DDR5 Differential) Connector in early stage and direction



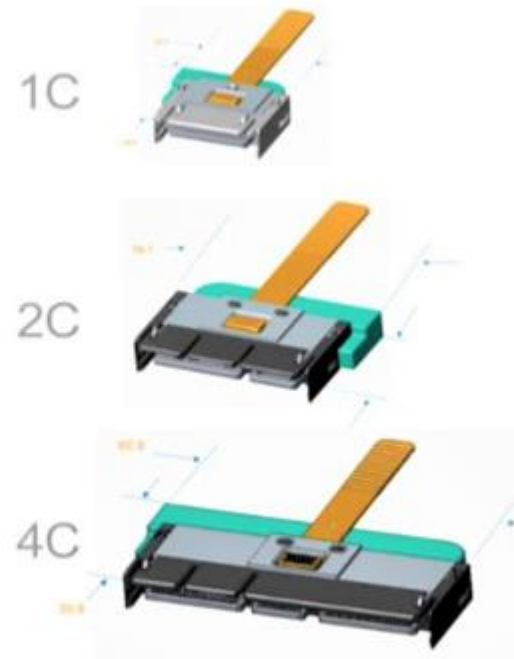
mcurich

# SFF-TA-1002 Internal Cable

Cable is being defined in the standard.  
Some features are subject to change.



Addition of lateral exit cables in  
1C, 2C and 4C configurations

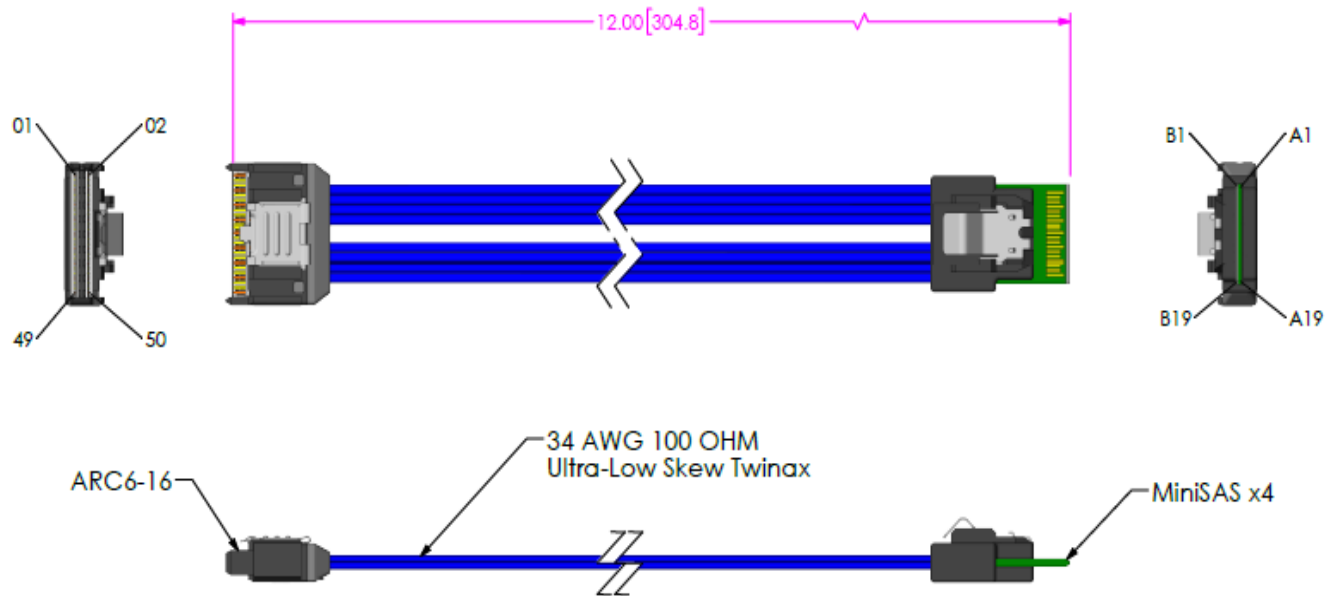






# Customized ODM Cable Assembly

- Internal highspeed cable with combination of various connector and raw cable to achieve flexibility and high performance
- Application model: Back Panel to Main Board, Back Panel to Sub-system, Sub-system to Main Board etc.
- Mcurich Inc. will provide ODM, OEM service by offering design concept, DFM, fixture/tooling fabrication and automation







# **External Cable (AOC)**



# AOC Products



**HDMI 2.1 8K**

10m ~ 50m

**HDMI Active  
Optical Cables**



**USB 3.1 Gen 2**

10 ~ 50m

**USB Active  
Optical Cables**



**QSFP28**

10 ~ 100m

**Active Optical Cables for  
Data Centers**



# QSFP28 100G AOC

- Compliant to SFF-8436 and SFF-8431
- 850nm VCSEL laser and PIN photo detector
- Maximum link length: 70m on OM3 MMF, 100m on OM4 MMF
- Operation Temp: 0 ~70°C
- RoHS-6 compliant
- QSFP28 to SFP28\*4 fan out cable available to ship
- Transceiver Module with QSFP 100G PSM4 2KM and QSFP 100G 4WDM10 10KM availability

**10m AOC**



**10m fan-out**



**Transceiver Module**





# USB 3.1 Gen 2 AOC

- USB 3.1 Gen2
- Max. Data Bandwidth 10G
- 2 CH 850 nm VCSEL/PD
- Operation temp. -20°C to 70°C
- AOC power consumption less than 0.5 W
- **10 m to 50 m** in MP available to ship

**10 m AOC**







# HDMI 2.1 Type A 8K AOC

- Uncompressed 8K Video Streaming
- Max. Data Bandwidth: 48G bps
- 4 CH 850 nm VCSEL / PIN
- Power consumption lower than 750 m W
- **10 m to 50 m** in MP available to ship

10m AOC



20m AOC





**Thank you & Questions?**